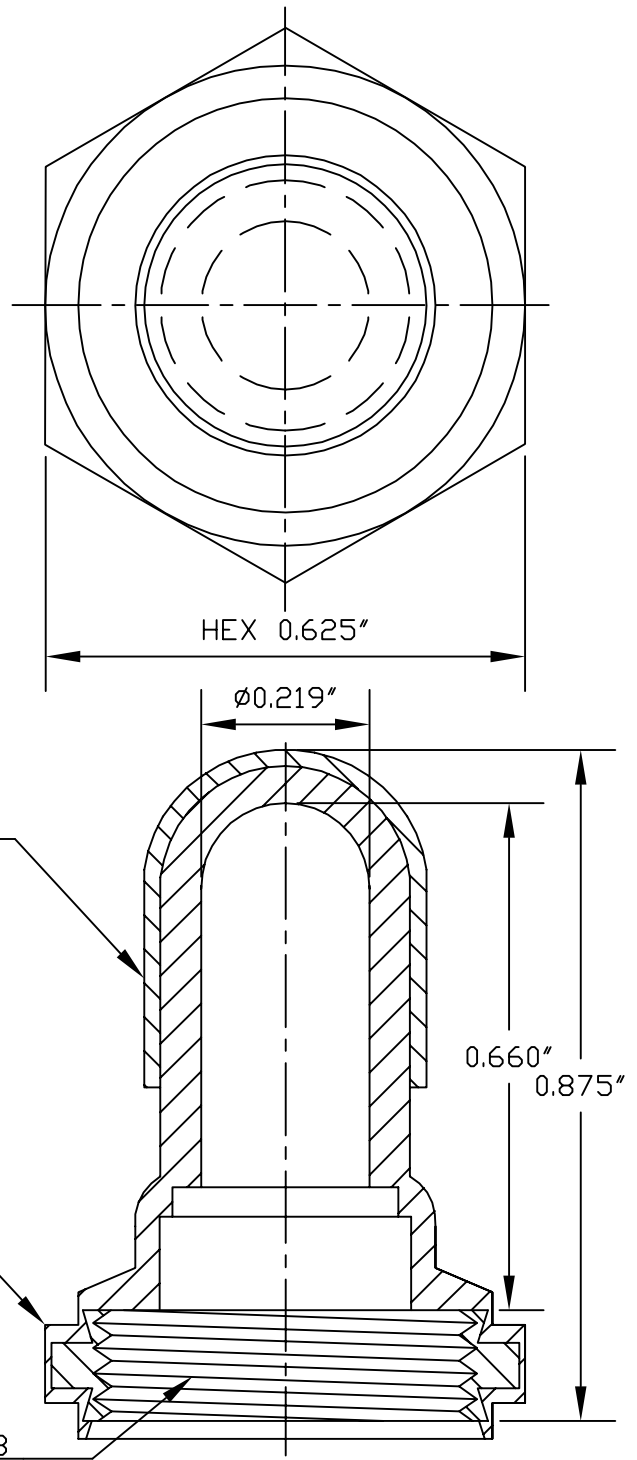


SPECIFICATIONS

Material: HEXSEALS: Silicone rubber conforms to A-A-59588 Class III, GR 50 unless otherwise specified.
Mounting Nut: HEXSEALS: Brass, nickel-plated (unless otherwise noted)
Temperature Range: HEXSEALS: -94°F to +400°F
Pressure Range: Exceeds 15 psi internal and 1500 psi external.
Operational Life: 50,000 actuations (minimum).
Shelf Life: Excess of 25 years.
Resistant to: Salt spray, sunlight, ozone, weather, fungus, and most acids and lubricating oils
Agency Recognition: E-SEELS and HEXSEALS are UL-listed to UL Std. 50 types 1-13, and meet CSA standards.
Installation: If a reducing adaptor is required - see page 14 of HEXSEAL catalog HEX200 for part numbers and drawing.



BONDED NICKEL PLATED
BRASS SHELL

PERMISSIBLE RUBBER
OVERLAY 0.005 MAX.

15/32-32 NS-2B

F	MAT'L CHANGED	S. GOK	6-5-09
E	CAD COMPUTER GENERATED		9-23-02
D	REDRAWN	TONY CARBOME	9-4-69
REV.	DESCRIPTION		DATE
MAXIMUM AND MINIMUM MEASUREMENTS ARE STATED DIRECTLY ON EACH DIMENSION.		ENG. M.M.	6-9-61
TITLE: BOOT ARMORED, TOGGLE SWITCH (N-1030-A)		DWN. J.PALUMBO	12-27-58
MAT'L: SILICONE RUBBER A-A-59588 Class III, Gr.50		CHKD.	
FINISH: GRAY		SCALE 4:1	DWG. NO. (N-1030A) HEXSEAL®

THIS DRAWING COVERS PROPRIETARY ITEM AND IS THE PROPERTY OF THE APM-HEXSEAL CORPORATION.
 THIS DRAWING IS NOT TO BE COPIED OR USED WITHOUT THE WRITTEN APPROVAL OF AN OFFICER OF THE APM-HEXSEAL CORPORATION.